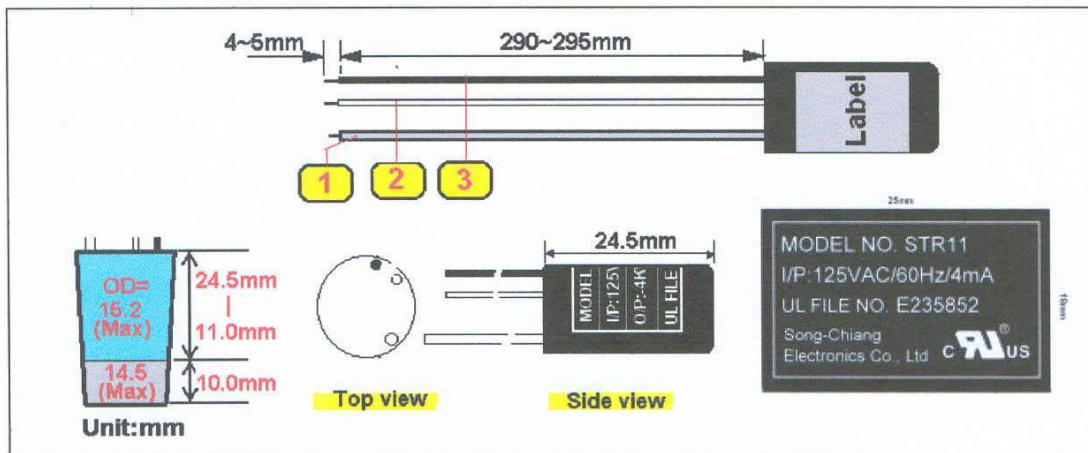


Specification for STR11

Your Item No.	STR11
Our Item No.	STR11-EY1

2005/01/17

1. Temp. of working : 10°C~40°C
2. Temp. of safekeeping : -10°C~40°C
3. Humidity of working : 50~65%RH
4. I/P : 125Vac
5. O/P : -3.3~4.7KV (Loading: 1000MΩ)
6. I/C mA : 4mA(Max)
7. Output level : DC smooth waves without pulse.
8. Duty cycle : 60Hz
9. Fill with black epoxy and can't be over side.
10. Dimension : OD=14.5mm~15.2mm / L=24.5mm(Max).



No.	Specification	PVC 線	+ 線鍍錫
1	UL3239#22awg / TFL / 10KV / White / 105°C	290~295	4~5
2	UL1430#24awg / PVC/ 300V / White / 105°C	290~295	4~5
3	UL1430#24awg / PVC/ 300V / Black/105°C	290~295	4~5

RAYUAN COMPANY LTD. 逸園股份有限公司

No. 81, Lu Jiang Street, Lu chow City, Taipei Hsian Taiwan, R.O.C.
台北縣蘆洲市鶯江街 81 號

ISO9001 Tel:886-2-22818105 (REP) Fax:886-2-22822028

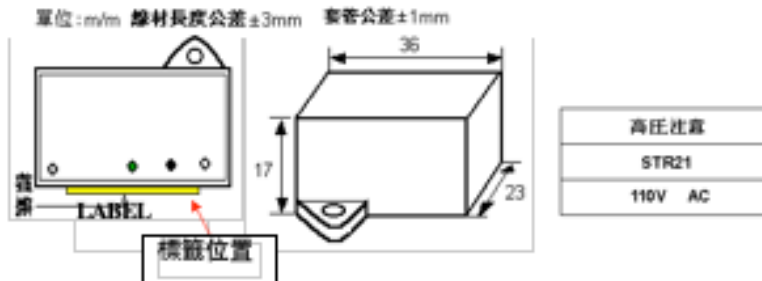
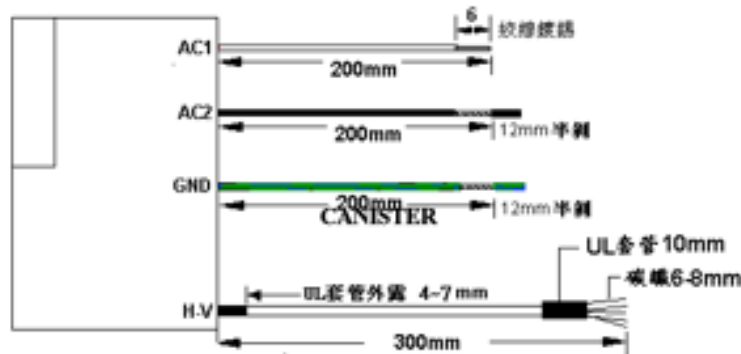
E-Mail : ec@rayuan.com <http://www.rayuan.com>

MODEL NO. STR-21

Specification:

1. Input Voltage :110Vac/50Hz
2. Operating Current: 4mA(Max)
3. Output Voltage: $-4.0 \pm 0.5KV$ (Testing with load 1000Ω)
4. Operating Temperature Rating: $-10^{\circ}C$ to $+50^{\circ}C$
5. Storage Temperature Rating: $-10^{\circ}C$ to $+60^{\circ}C$
6. Operating Humidity Rating:40-65%RH
7. Epoxy must not exceed over canister height.

Construction:



LEAD WIRES LIST

序次	標記名稱	規格說明
01	AC1(INPUT)	UL3-D0624, WHITE COLOR, 300V, 105°C → INPUT
02	AC2(INPUT)	UL3-D0624, BLACK COLOR, 300V, 105°C → INPUT
03	GND	UL3-D0624, GREEN COLOR, 30V, 105°C → GND
04	H-V(OUTPUT)	UL325622, WHITE COLOR, 10KV, 105°C → OUTPUT

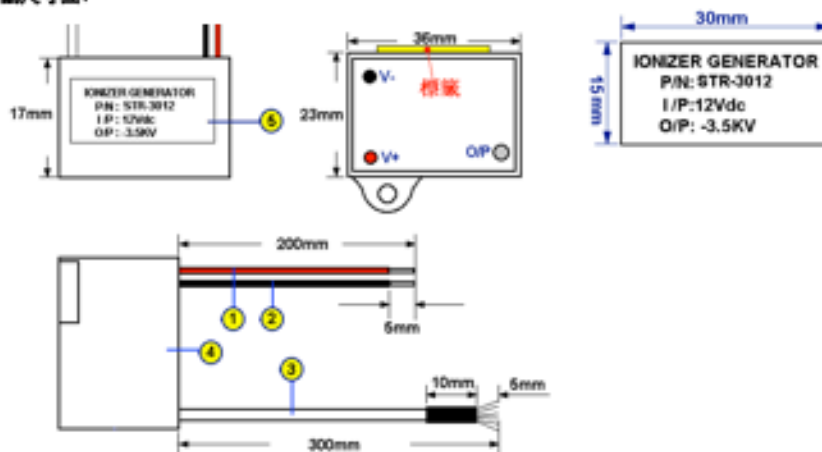
RAYUAN COMPANY LTD. 遠圓股份有限公司
 No. 81, Lu Jiang Street, Lu chow City, Taipei Hsian Taiwan, R.O.C.
 台北縣蘆洲市鶯江街 81 號

E-Mail : ryuanco@ms23.hinet.net [http:// www.rayuan.com](http://www.rayuan.com)

Tel:886-2-22818105 (REP) Fax:886-2-22822028

品名: 負離子產生器
 型號: STR-3012

※外觀尺寸圖:



※規格說明:

- (1) 輸入電壓: 12.0Vdc.
- (2) 輸出電壓: -3.5KVdc +/-0.5KV.
- (3) 最大電流: 50mA(MAX).
- (4) 外觀尺寸: 長=36.0mm * 寬=23.0mm * 高=17.0mm.

※部品說明:

NO.	DESCRIPTION	SPECIFICATION
1	INPUT WIRE	UL1430#24, 300V, 紅色, PVC, 長度=200mm(剝線長度 5mm).
2	GND WIRE	UL1430#24, 300V, 黑色, PVC, 長度=200mm(剝線長度 5mm).
3	OUTPUT WIRE	UL3236#22, 10KV, 白色, PVC, 長度= 300mm+接線打端子+UL 套管.
4	CASE	長=36.0mm * 寬=23.0mm * 高=17.0mm(料號: MJ100-ION-CASE)
5	LABEL	透明紙, 白字, 尺寸=L30mm * H10mm.